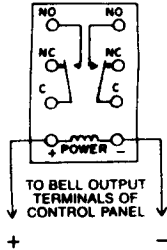


RB5 - RB5-24 - RBSN APPLICATIONS AND WIRING

DRY CONTACTS

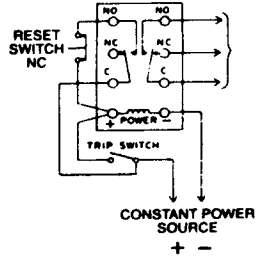
- Used to trip dialer from control panel with bell output only.



Shown in non-arm condition.

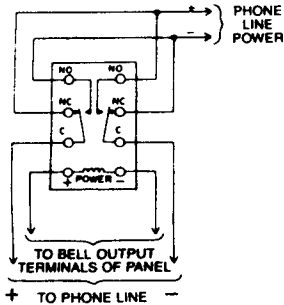
LATCHING DRY CONTACTS

- Use to convert momentary switches to maintained.
- Can provide constant voltage source for strobe light after bell cut-off.
- Can serve as memory to show alarm if panel has recycle capability.



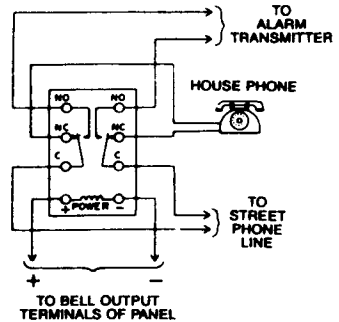
Shown in non-arm condition.

POLARITY REVERSAL



Shown in non-arm condition.

LINE SEIZURE



Shown in non-arm condition.

Model	Input Voltage	Current Draw	Contact Rating
RB5	6VDC or 12VDC	120ma	5AMP. DPDT 110VAC
RB5-24	24VDC	35ma	5AMP. DPDT 110VAC
RBSN	12VDC	10ma	2AMP. DPDT 110VAC

LIFETIME WARRANTY - MADE IN U.S.A.